



ICALEPCS 2015

International Conference on Accelerator
& Large Experimental Physics
Control Systems

LabVIEW Interface of MADOCA II with Key-Value Stores in Messages

Takahiro Matsumoto, Yukito Furukawa,
Yousuke Hamada, Tomohiro Matsushita

JASRI/SPring-8, Hyogo, Japan

Oct. 21, 2015



MADOCA



ICALEPCS 2015

International Conference on Accelerator
& Large Experimental Physics
Control Systems

Introduction

• MADOCA II

- Message oriented Control framework

Used **ØMQ** and **MessagePack**

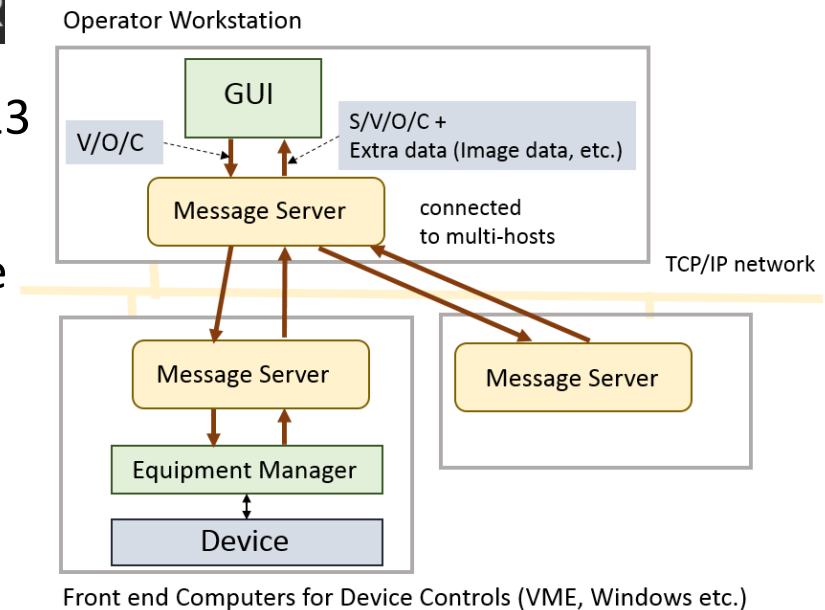
→ Applied to SPring-8 and SACLA DAQ in 2013

- Multi-platform (include Windows)
- Large data can be attached in a message
- Distributed controls over ~500 hosts

• LabVIEW Interface

- **Redesigned for easy-to-use**
- **Key-Value Stores for Data transfer**

MADOCA

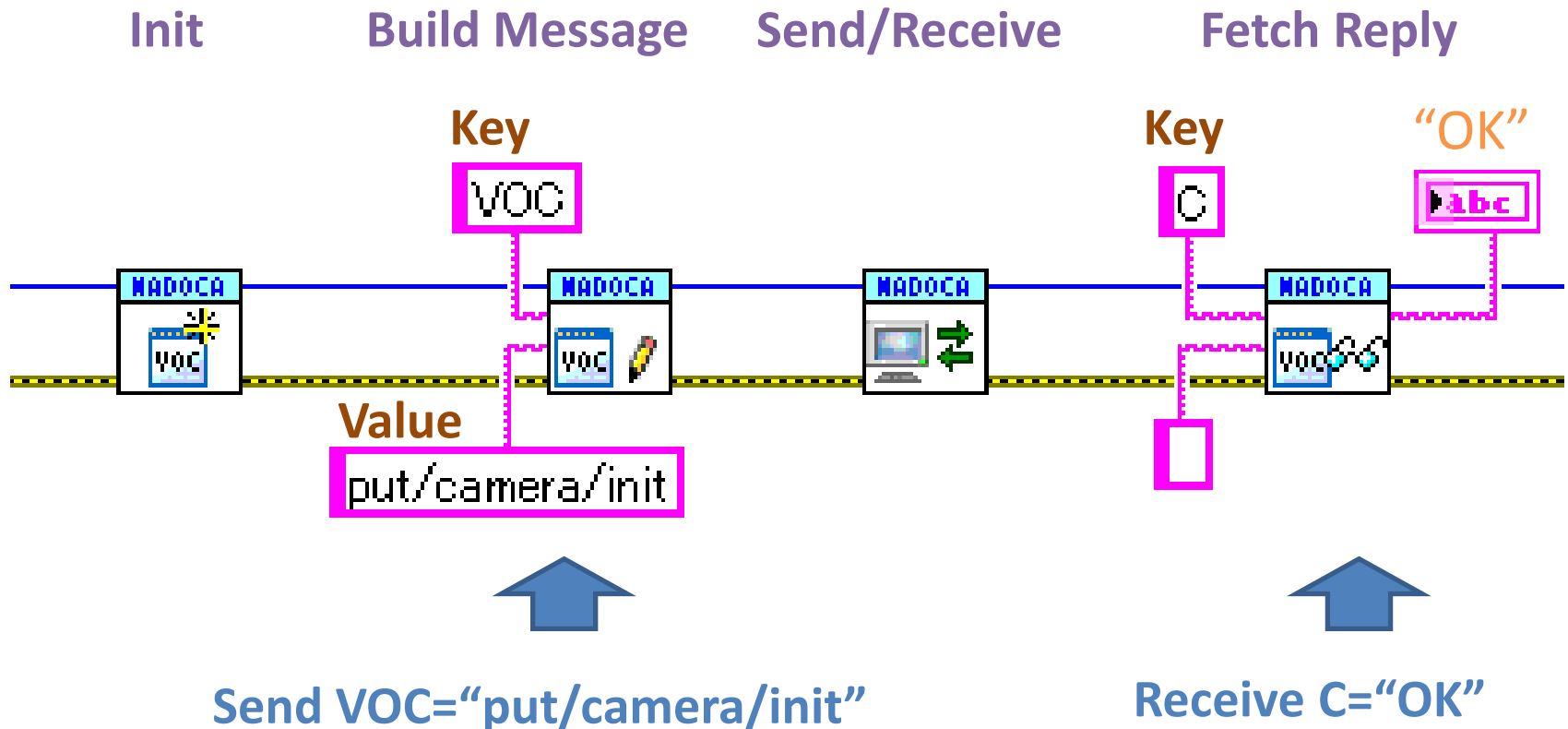




ICALEPCS 2015

International Conference on Accelerator
& Large Experimental Physics
Control Systems

Client application with MADOCA II LabVIEW





ICALEPCS 2015

International Conference on Accelerator
& Large Experimental Physics
Control Systems

Camera Image Viewer with MADOCA II LabVIEW

Easily programmed with simply decomposed VIs

